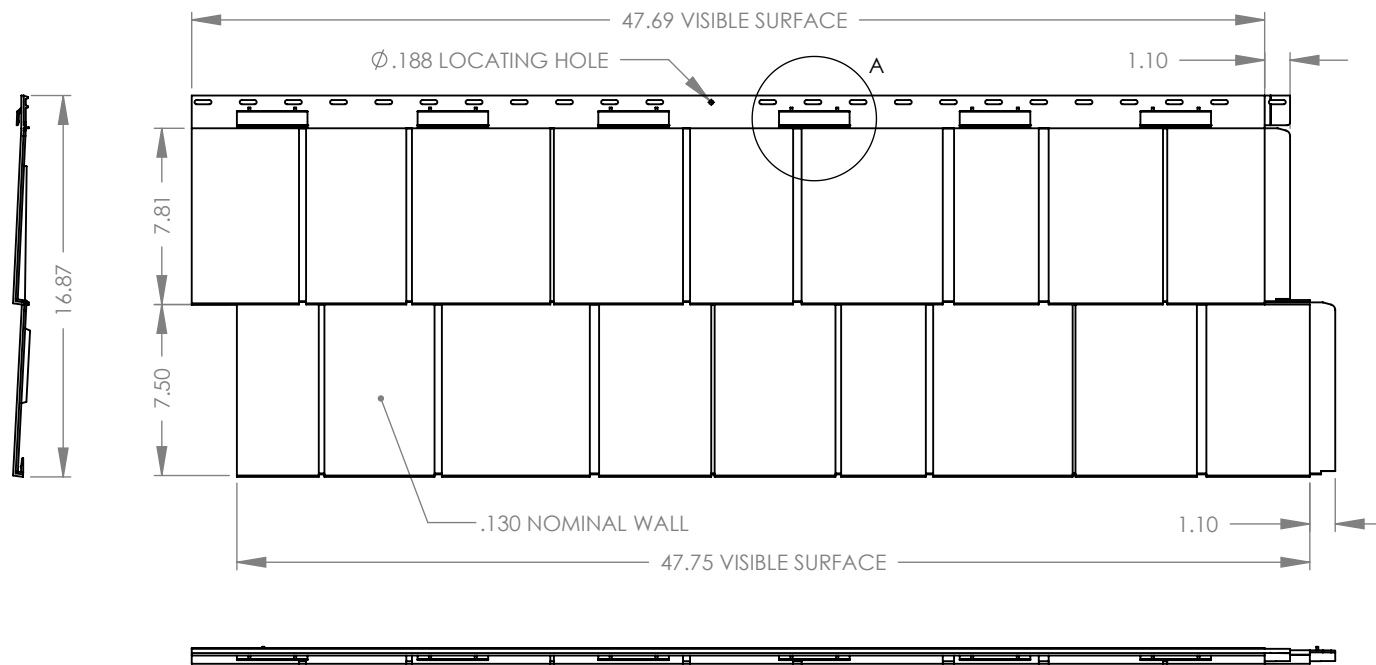
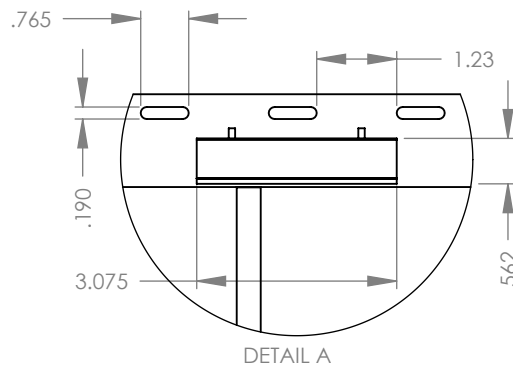


NOTES:

- EXTERIOR SHOW SURFACES TO BE FREE OF WHITE STRESS MARKS AREAS CAUSED BY MOLDING PROCESS OR HANDLING
- EXTERIOR TEXTURED SURFACES TO BE FREE FROM WHITE PULL/DRAW MARKS CAUSED BY MOLDING PROCESS
- MOLDED PARTS MUST NOT SHOW ANY VISIBLE WARP/TWIST CAUSED BY MOLDING PROCESS
- NAIL HOLES/SLOTS MUST NOT SHOW ANY DRAG MARKS/CRACKS CAUSED BY MOLDING PROCESS
- NAIL HOLES/SLOTS MUST BE FREE FROM FLASH



COLOR CODE BLOCK

PART NAME - COLOR	ITEM NO
DOUBLE 7 PREMIUM - MIDNIGHT BLUE	DS748-047
DOUBLE 7 PREMIUM - WALNUT	DS748-087
DOUBLE 7 PREMIUM - FOREST GREEN	DS748-095
DOUBLE 7 PREMIUM - CHARCOAL	DS748-125
DOUBLE 7 PREMIUM - CHAMPAGNE GRAY	DS748-129
DOUBLE 7 PREMIUM - TERRA COTTA	DS748-157
DOUBLE 7 PREMIUM - MAHOGONY	DS748-172
DOUBLE 7 PREMIUM - SOUTH BEACH GREEN	DS748-194
DOUBLE 7 PREMIUM - CYPRESS	DS748-198
DOUBLE 7 PREMIUM - COLONIAL WHITE	DS748-214
DOUBLE 7 PREMIUM - BERMU DA BLUE	DS748-241
DOUBLE 7 PREMIUM - ATLANTIC BLUE	DS748-243
DOUBLE 7 PREMIUM - DESERT TAN	DS748-247
DOUBLE 7 PREMIUM - SAVANNAH WICKER	DS748-248
DOUBLE 7 PREMIUM - AUTUMN YELLOW	DS748-256
DOUBLE 7 PREMIUM - PACIFIC BLUE	DS748-276
DOUBLE 7 PREMIUM - OXFORD	DS748-278
DOUBLE 7 PREMIUM - IVY GREEN	DS748-281
DOUBLE 7 PREMIUM - HEARTHSTONE	DS748-292
DOUBLE 7 PREMIUM - GREEN TEA	DS748-293
DOUBLE 7 PREMIUM - SPRUCE	DS748-296
DOUBLE 7 PREMIUM - NATURAL CLAY	DS748-387
DOUBLE 7 PREMIUM - BUCKSKIN	DS748-388
DOUBLE 7 PREMIUM - SABLE BROWN	DS748-389
DOUBLE 7 PREMIUM - MOUNTAIN CEADER	DS748-398
DOUBLE 7 PREMIUM - SLATE	DS748-425
DOUBLE 7 PREMIUM - GRANITE GRAY	DS748-426
DOUBLE 7 PREMIUM - STERLING GRAY	DS748-428
DOUBLE 7 PREMIUM - PEBBLE CLAY	DS748-437
DOUBLE 7 PREMIUM - ESPRESSO	DS748-488
DOUBLE 7 PREMIUM - SANDSTONE BEIGE	DS748-492
DOUBLE 7 PREMIUM - SEAGRASS	DS748-497
DOUBLE 7 PREMIUM - FLAGSTONE	DS748-526
DOUBLE 7 PREMIUM - FARMHOUSE RED	DS748-632
DOUBLE 7 PREMIUM - AUTUMN RED	DS748-633

REVISION BLOCK		
DATE	REV	DESCRIPTION OF CHANGE

THE INFORMATION CONTAINED IN THIS DRAWING IS THE SOLE PROPERTY OF BMP. ANY REPRODUCTION IN PART OR AS A WHOLE WITHOUT THE WRITTEN PERMISSION OF BMP IS PROHIBITED.

UNLESS OTHERWISE SPECIFIED	DESIGN ENGINEER	DN	03/26/20
DIMENSIONS ARE IN INCHES	TOOLING MANAGER	RS	03/26/20
TOLERANCES:	QUALITY MANAGER	BL	03/26/20
ANGULAR: ± 1 DEGREE	SALES MANAGER	TN	03/26/20
TWO PLACE DECIMAL: ± .032			
THREE PLACE DECIMAL: ± .015			
VOLUME 1662 CM3	MATERIAL	MTEGRITY PP IMPACT COPOLYMER CP500	
FINISH WOOD GRAIN TEXTURED	WEIGHT	3.1 LB	
DO NOT SCALE DRAWING	REV	-	

PART NAME	DOUBLE 7 PREMIUM SHAKE SIDING	
3D CAD MODEL NUMBER	2020_01_13_DOUBLE_7_SHAKE_SIDING.SLDPRT	
INVENTORY NUMBER	DS748-XXX (SEE COLOR CODES ABOVE)	
SCALE: 1:8.5	SHEET 1 OF 1	